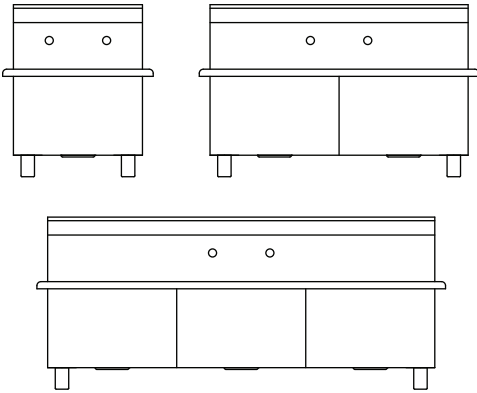




# SINKS

## UTILITY SINKS (NON NSF)



Item #:

Qty #:

Model #:

Project #:

### SINK FEATURES:

9" high backsplash, with 2" return to wall at 45 degrees with easy installation tile edging

Leg assemblies located directly under the sink bowls for greater load support

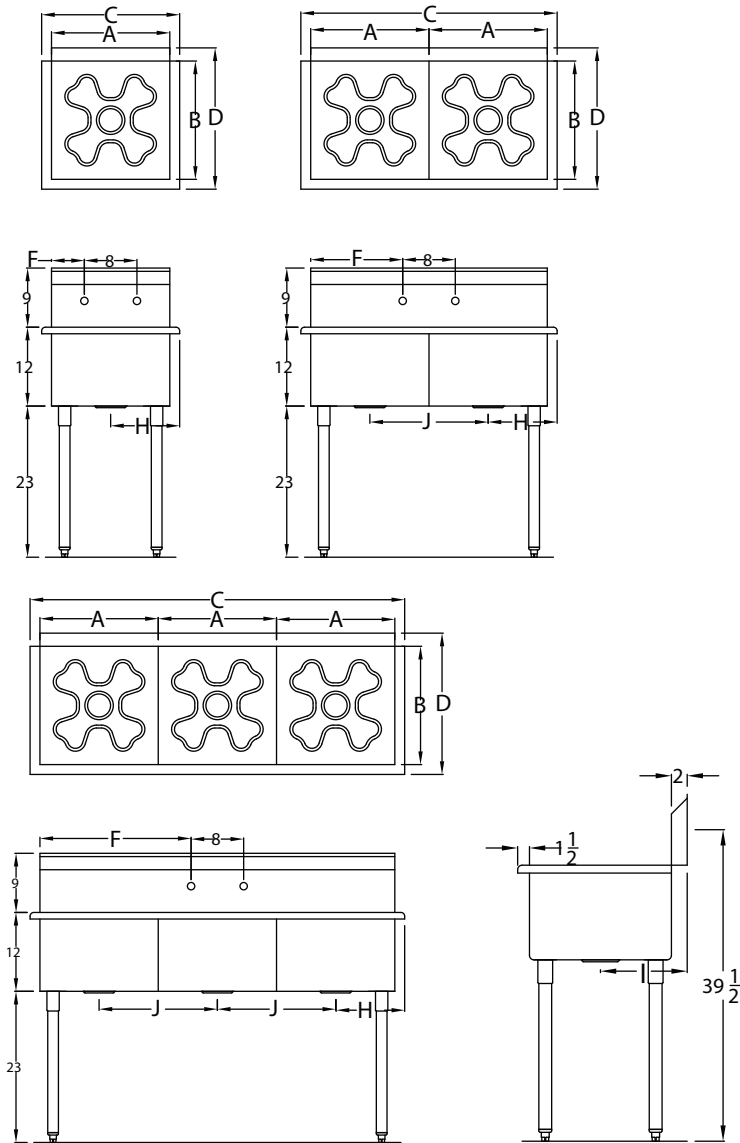
Legs are 1 5/8" diameter tubing with adjustable bullet feet

All sinks are furnished with basket drains and 1" faucet holes punched in backsplash on 8" centers as required

16 gauge type 304 stainless steel, galvanized legs (stainless steel available)

BOWL SIZE	# OF BOWLS	MODEL	WT.
18 X 18	1	RJ-US-1-1818	30
	2	RJ-US-2-1818	65
	3	RJ-US-3-1818	88
24 X 24	1	RJ-US-1-2424	40
	2	RJ-US-2-2424	82
	3	RJ-US-3-2424	125

# DIMENSIONS & SPECIFICATIONS



DIMENSIONS ARE TYPICAL (TOL. +/- 1/2")

MODEL	A	B	C	D	E	F	G	H	I	J
RJ-US-1-1818	18	18	21	21 1/2	N/A	6.5	N/A	10 1/2	11	18
RJ-US-2-1818	18	18	39	21 1/2	N/A	15.5	N/A	10 1/2	11	18
RJ-US-3-1818	18	18	57	21 1/2	N/A	24.5	N/A	10 1/2	11	18
RJ-US-1-2424	24	24	27	27 1/2	N/A	9.5	N/A	13 1/2	14	24
RJ-US-2-2424	24	24	51	27 1/2	N/A	21.5	N/A	13 1/2	14	24
RJ-US-3-2424	24	24	75	27 1/2	N/A	33.5	N/A	13 1/2	14	24

\* All three compartment sinks with bowls 24" or larger require a second set of faucet holes.



RJ Fabricators reserves the right to progressively alter our product specifications to maintain our premium quality.